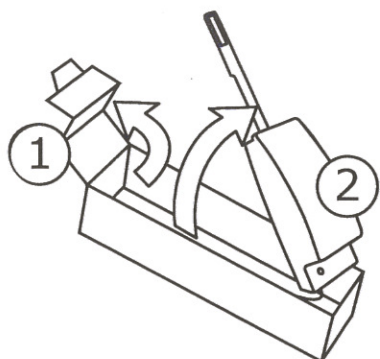
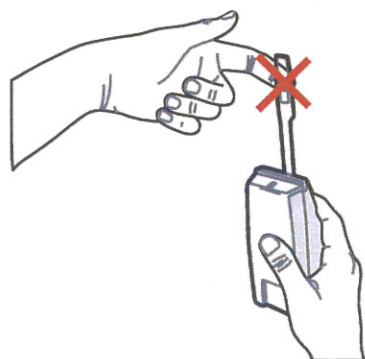


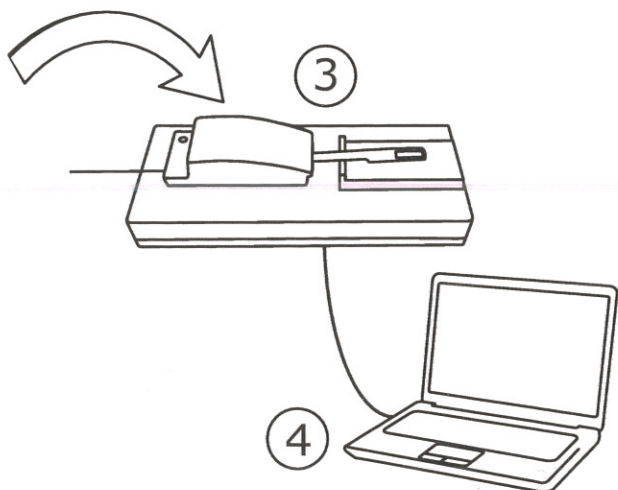
How to Start Using Vaisala Radiosonde RS41



Open the radiosonde package carefully. Lift up the flap at the end of the package and remove the radiosonde.

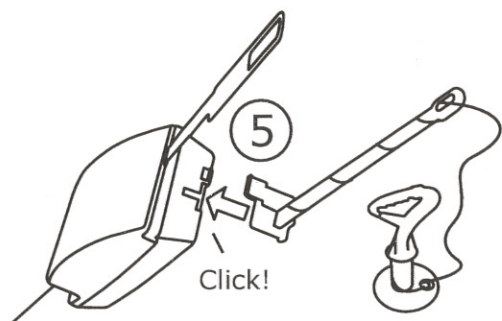


Caution! Do not touch the sensor boom.



Connect Ground Check Device RI41 to MW41 sounding workstation. Place the radiosonde on the ground check device. The radiosonde powers up automatically when placed on the ground check device.

Follow the progress of the ground check with the sounding workstation.



Push the unwinder stick to its position. The unwinder stick pushes the radiosonde sensor boom to the sounding position.